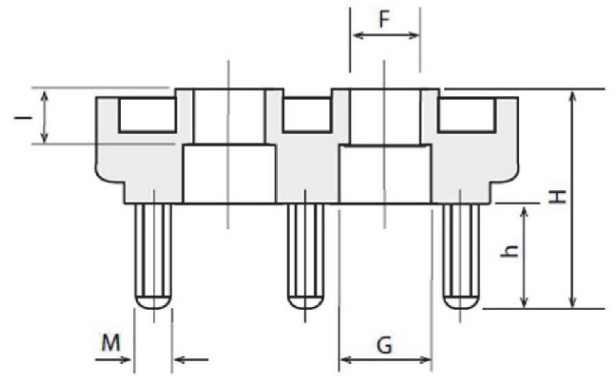
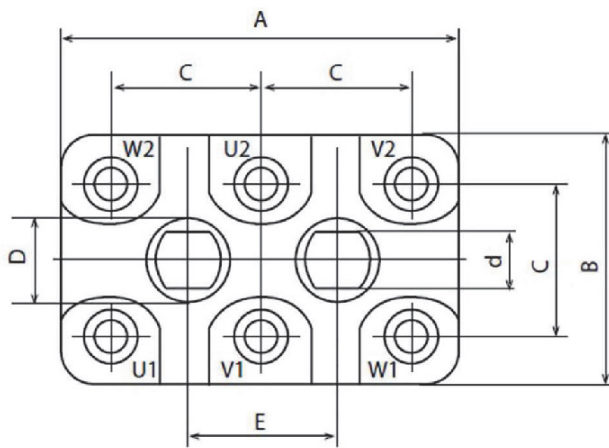


Key Features

- 6 Fixed Base Cylindrical Studs
- UL/CSA Certified
- Thermal Class F (150°C)



Technical Specifications



MODEL	DESCRIPTION	A	B	C	D	d	E	F	G	H	h	I	M
6TN2	40.24	40	25	15	8.5	4.5	12-18	7.0	9	20	12	5	M4
6TN4	50.32	50	32	18	9.5	5.5	15-21	6.0	9.5	22	12	6	M4
6TN6	56.36	56	36	20	9.5	5.5	16-23	7.5	11.5	27	15	8	M5
6TN10	70.45	70	45	25	10.5	6.5	23-28	9.5	13.0	31	16	9	M6
6TN14	82.52	82	52	30	11.0	6.5	25-34	10.0	15.0	42	23	15	M8
6TN16	95.60	95	60	35	16.0	7.5	29-39	12.0	19.0	47	23	14	M8
6TN20	115.70	115	70	45	16.0	10.0	40-47	14.0	19.0	50	28	14	M10
6TN22	145.90	145	90	54	24.0	14.0	45-61	22.0	32.0	67	36	17	M14